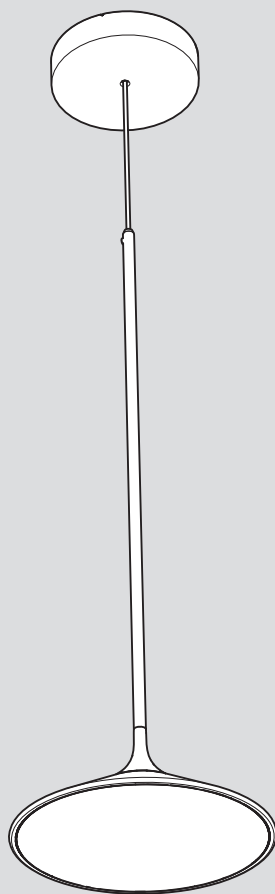
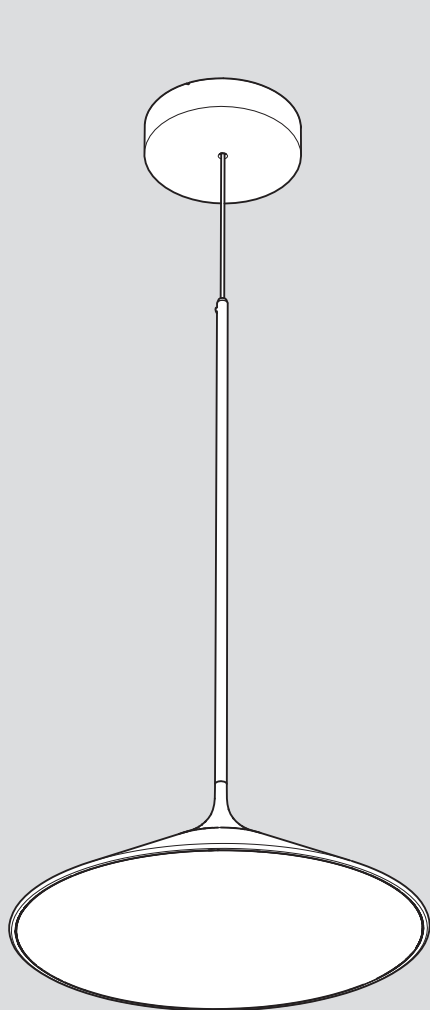


Artemide®

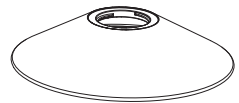
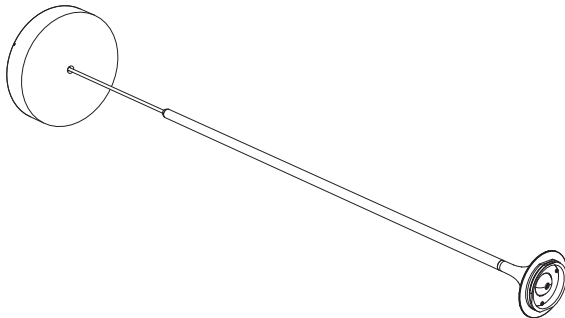
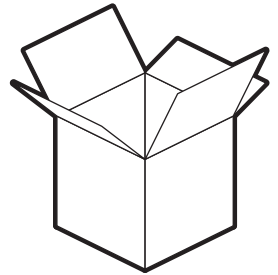
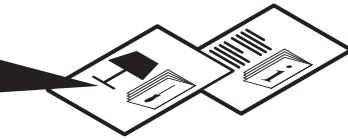
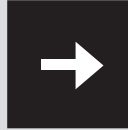
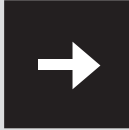
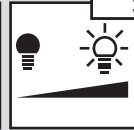
Orsa

design
Foster + Partners

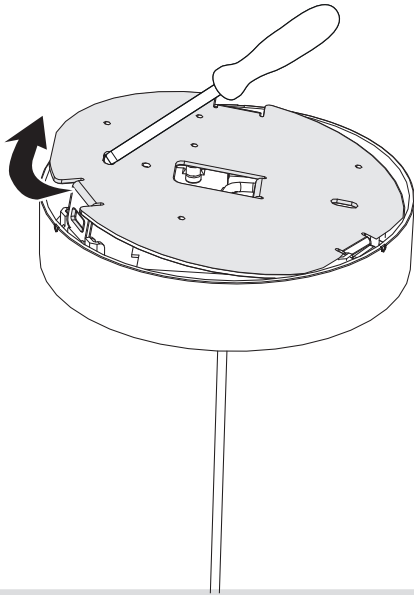




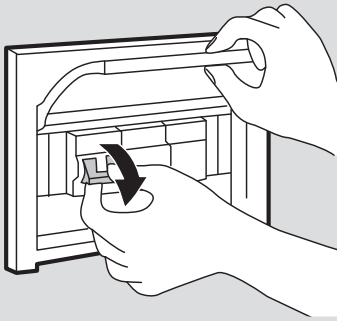
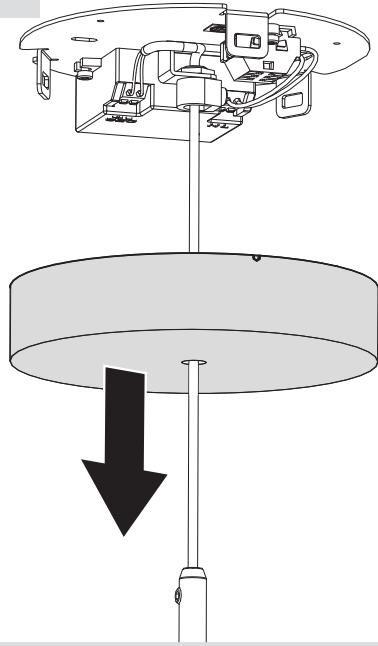
i



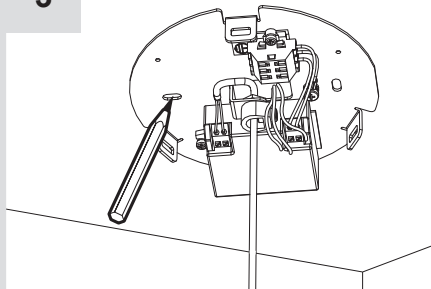
1



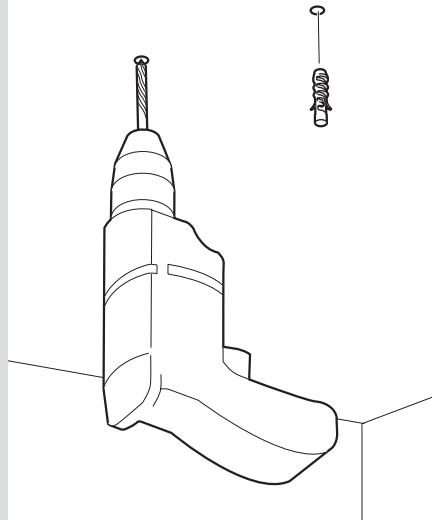
2

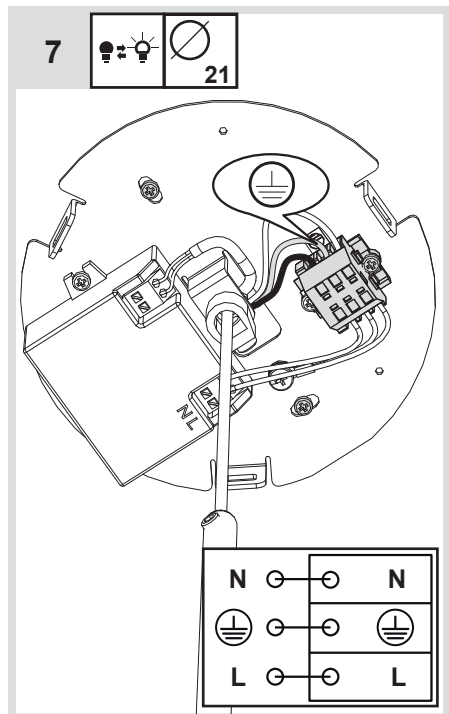
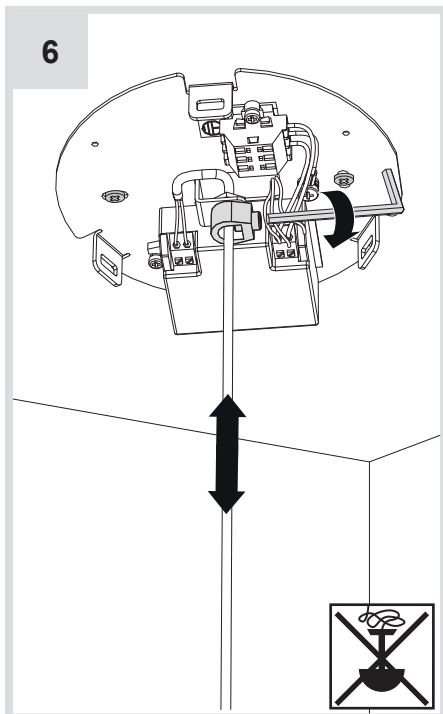
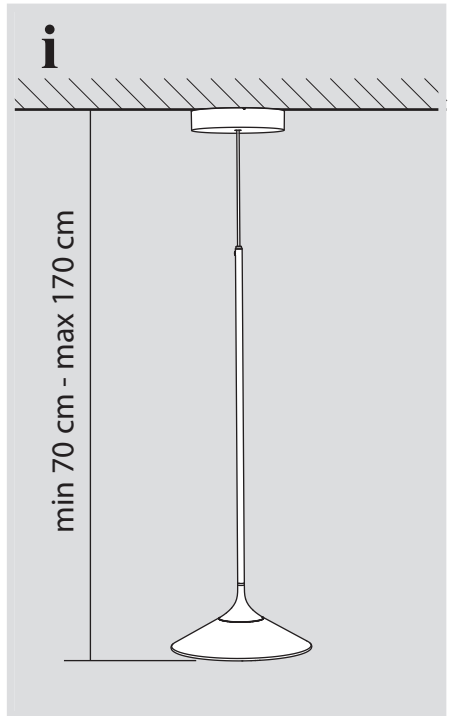
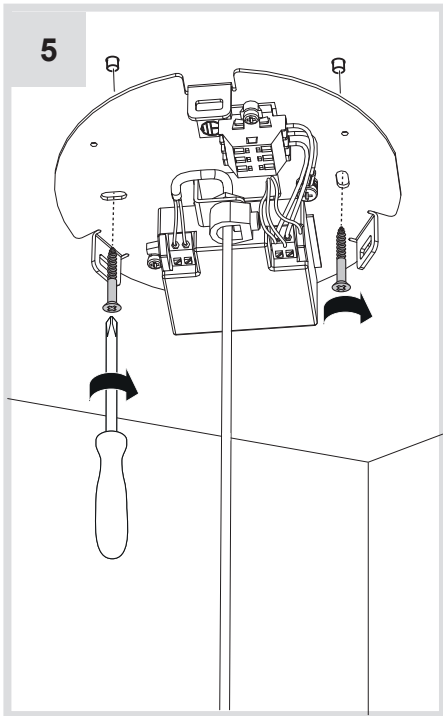


3

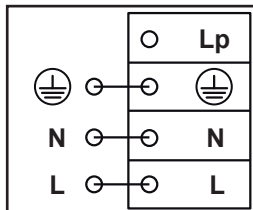
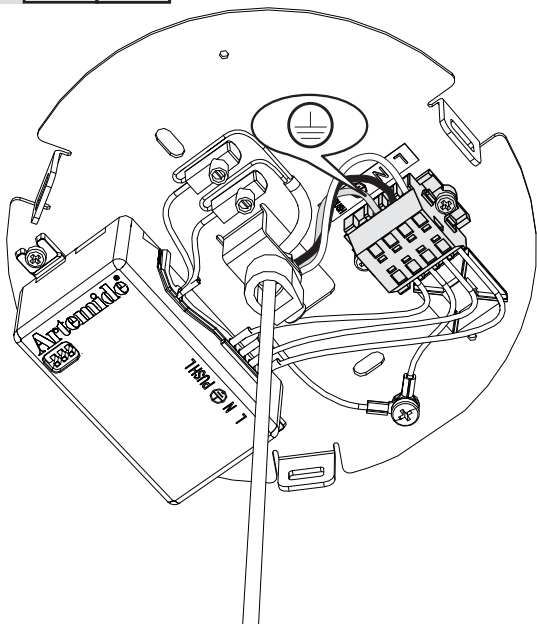
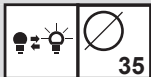


4

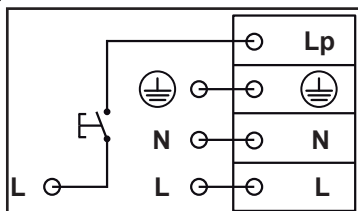
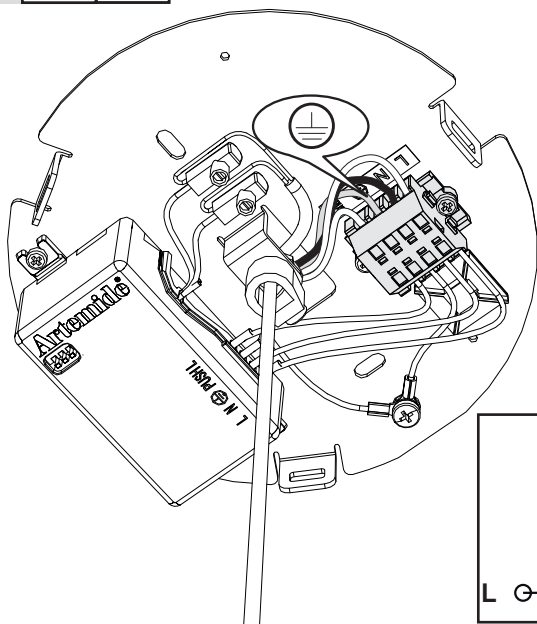


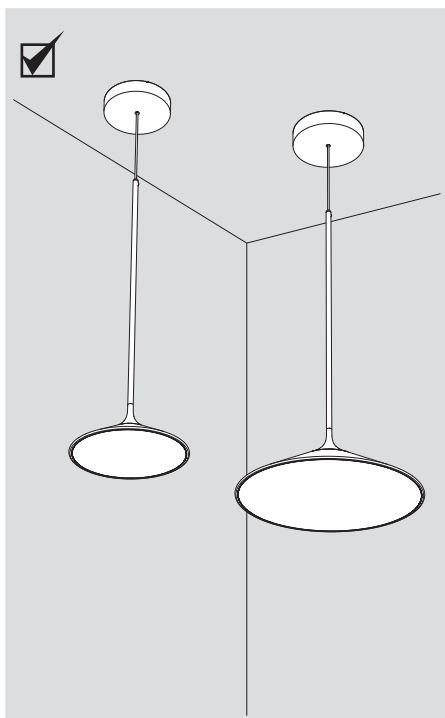
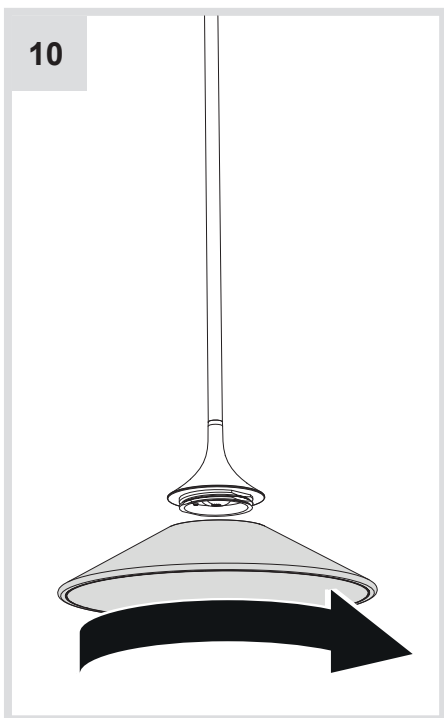
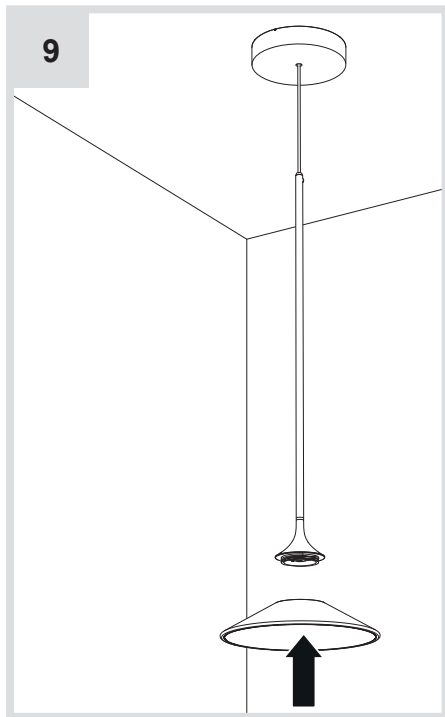
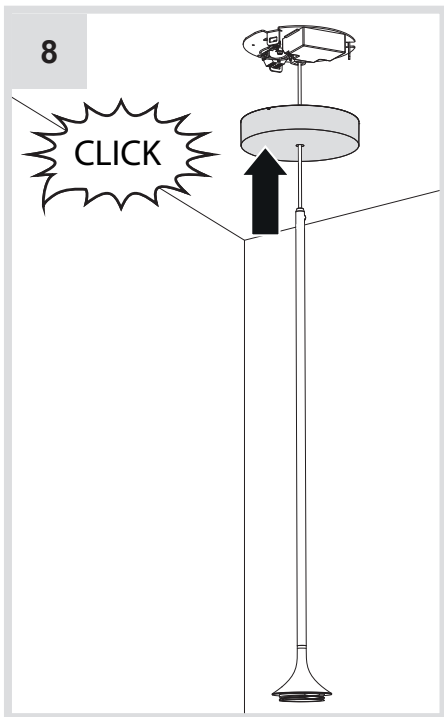


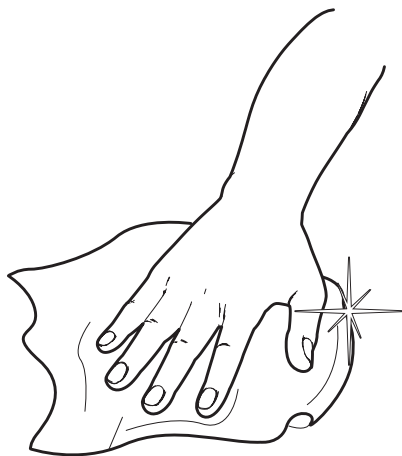
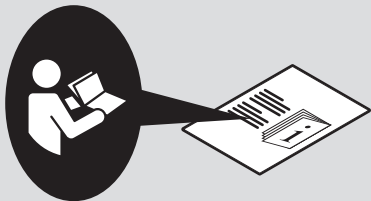
7a



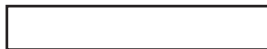
7b







Artemide®



Artemide

via Bergamo, 18
20010 Pregnana M.se (MI)
ITALIA

tel. +39 02 935 181
fax +39 02 935 90 254
fax +39 02 935 90 496

www.artemide.com

VAT IT00846890150

cod. Y513000783A