

HOLEX® Workshop caliper with knife edge jaws

DIN
862

S/STL
hardened



A1
Calibration

Version: Chamfered knife edge jaws for measurements at the bottom of threads and in narrow grooves. Offset and rounded jaw ends for internal measurements. High contrast scale. With locking screw. Up to size 300 through hardened, from size 500 measuring faces hardened.

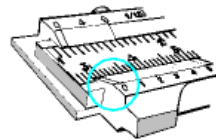
41 5100 – Some cross-sections reduced

41 5150 – With radius edge vernier, mm and inch graduations.

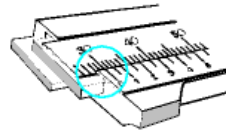
41 5170 – Flat vernier scale for **parallax-free reading**, direct reading of internal and external measurements, with fine adjustment.

Supplied with:

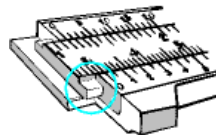
41 5170 Size 300 – Synthetic leather case



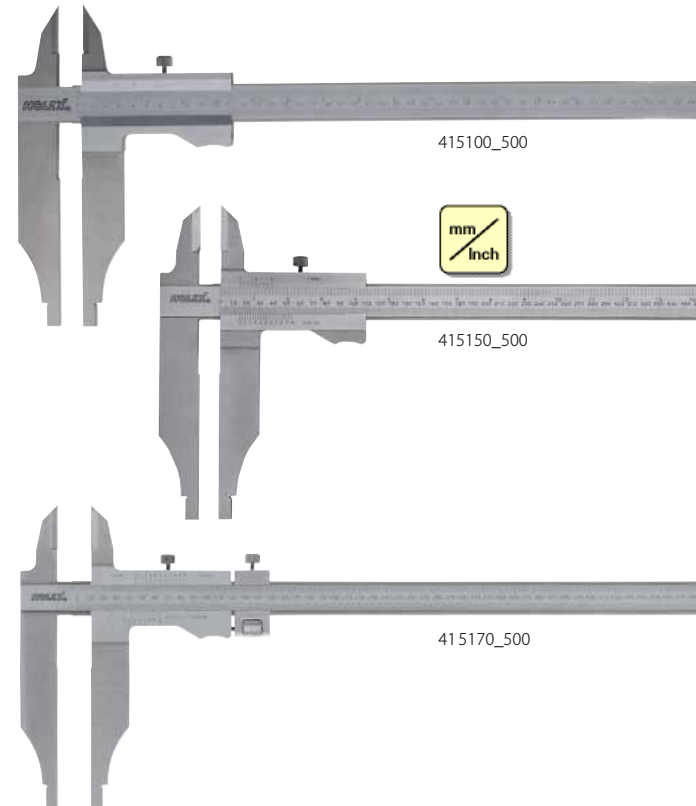
Chamfer edge vernier



Radius edge vernier



Flat vernier scale for parallax-free reading



Size = Measuring range	mm	200	300	500	750	1000
41 5100 HOLEX. Workshop caliper economy version		—	XXX	XXX	XXX	—
41 5150 HOLEX. Workshop caliper with mm and inch graduations		XXX	XXX	XXX	XXX	XXX
41 5170 HOLEX. Workshop caliper with parallax-free reading and fine adjustment		—	XXX	XXX	—	—
Scale length	mm	240	350	550	790	1040
Jaw length	mm	60	90	150	150	150
Internal shoulder	mm	10	10	20	20	20
Vernier	mm	1/20	1/20	1/20	1/20	1/20
Vernier (41 5150)	Inch	1/128	1/128	1/128	1/128	1/128